

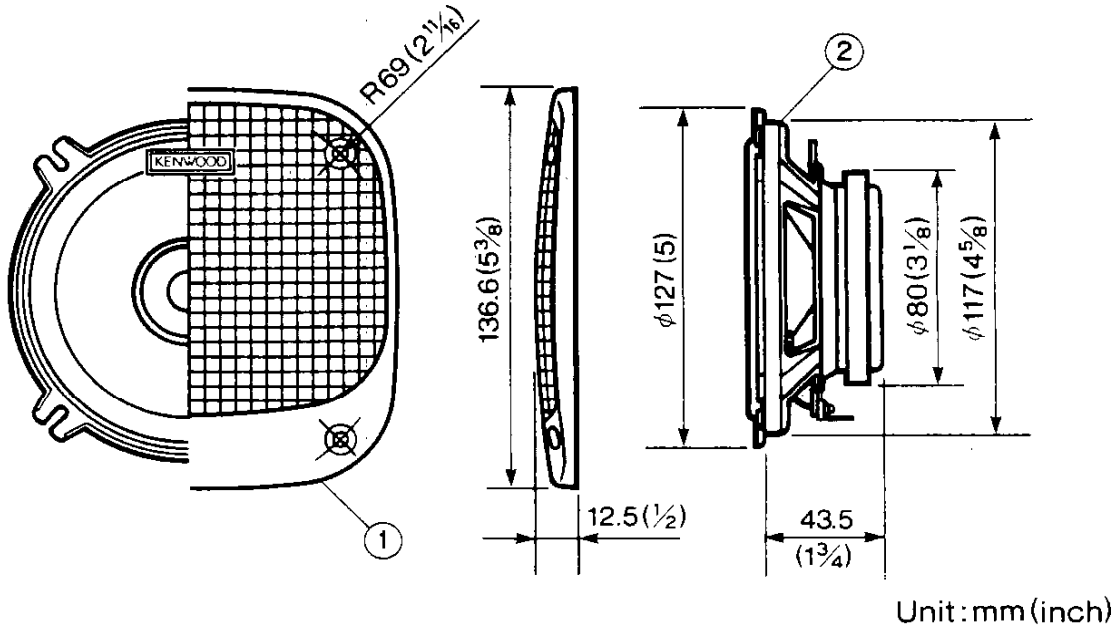
KFC-1361

SERVICE MANUAL

KENWOOD

© 1987-5 PRINTED IN JAPAN
B51-3257-00 (G) 1137

EXTERNAL VIEW



SPECIFICATIONS

Speaker type _____ 170g (6 oz) Magnet
 _____ 12 cm (5") Water-resistant cone
 Peak power _____ 45 watts
 Sensitivity _____ 90 dB/w at 1m
 Impedance _____ 4 ohms
 Insulated cable _____ 4.5m (14.7 ft) 2 pcs
 Weight per speaker with grille _____ 580g (1 lb 4 oz)

PARTS LIST

* New Parts
 Parts without Parts No. are not supplied.
 Les articles non mentionnes dans le Parts No. ne sont pas fournis.
 Teile ohne Parts No. werden nicht geliefert.

Ref.No.	New Parts	Parts No.	Description
①		B06-0268-08	FRONT GRILLE
		E30-1187-08	SPEAKER CORD SET
		N99-1050-08	SCREW SET
②	*	T07-0132-08	SPEAKER